

## Suggested Short Form Spec

### Flexible Retrofit Waterstop

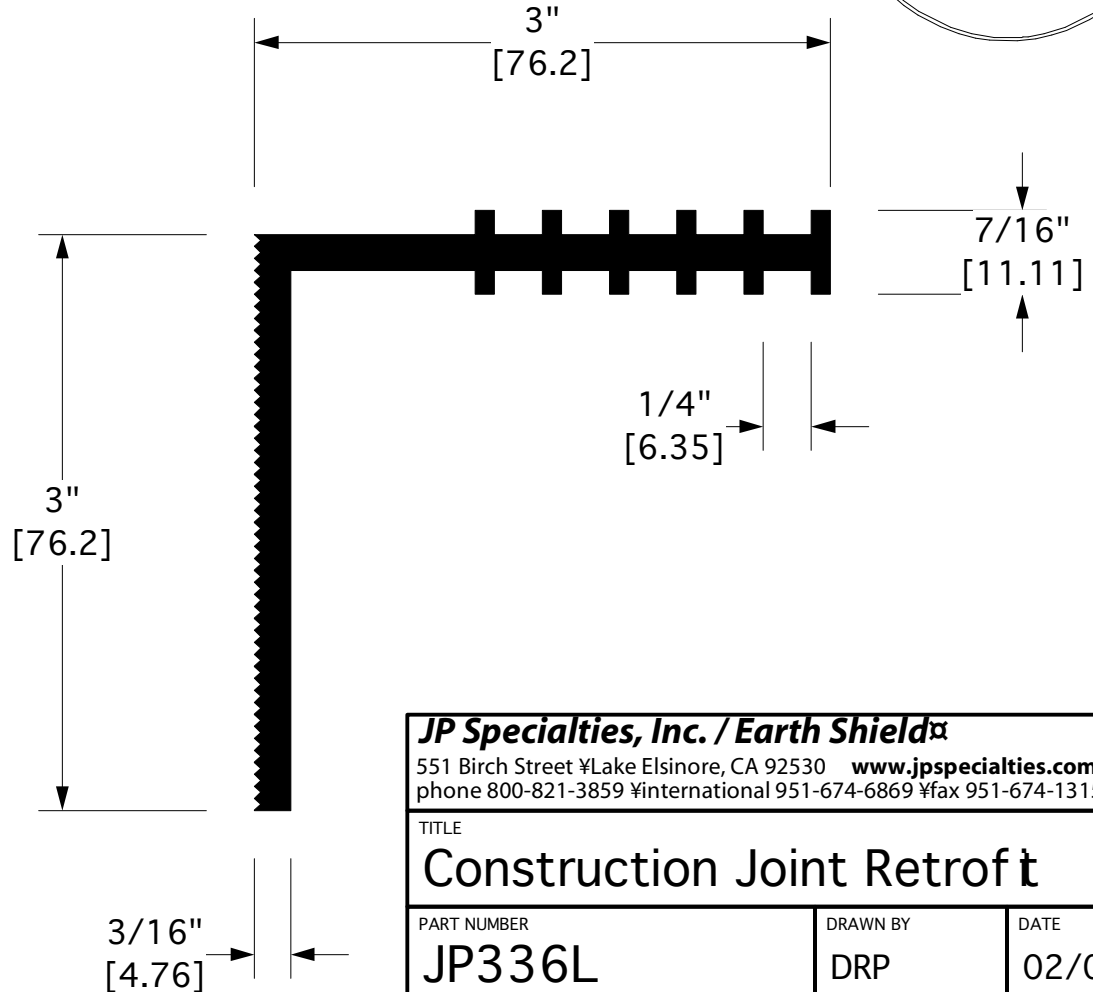
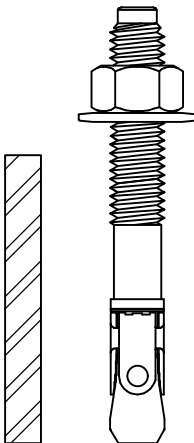
Waterstop indicated in drawings and specifications for construction joints to be Earth Shield® Thermoplastic Vulcanizate (TPV) **Part No. JP336L** as manufactured by **JP Specialties, Inc.** - 551 Birch Street, Lake Elsinore, CA 92530 - Phone 888-836-5778; International 951-674-6869; Fax 951-674-1315; Web [www.earthshield.com](http://www.earthshield.com); E-mail [davidp@earthshield.com](mailto:davidp@earthshield.com)

1. Thermoplastic Vulcanizate (TPV) Waterstop shall be certified for use in potable water per NSF/ANSI Standard 61. Third-party certified documentation to be provided by manufacturer.
2. No equals or substitutions allowed.
3. Install per manufacturer's recommendations.

#### Included components:

- 20 each (per 10 lft waterstop length) — 2-1/4" x 1/4" stainless steel wedge anchor.

- 1 each (per 10 lft waterstop length) — 3/16" x 1-1/2" x 119.5" stainless steel batten bar (prepunched 6" on-center to accommodate anchors).



<b>JP Specialties, Inc. / Earth Shield®</b>		
551 Birch Street ¥Lake Elsinore, CA 92530 <a href="http://www.jp-specialties.com">www.jp-specialties.com</a> phone 800-821-3859 ¥international 951-674-6869 ¥fax 951-674-1315		
TITLE <b>Construction Joint Retrofit</b>		
PART NUMBER <b>JP336L</b>	DRAWN BY <b>DRP</b>	DATE <b>02/05</b>
CAD FILE NAME <b>JP336L</b>	APPROVALS	SIZE <b>A</b>