

## Suggested Short Form Spec

### Flexible External Joint Retrofit Waterstop

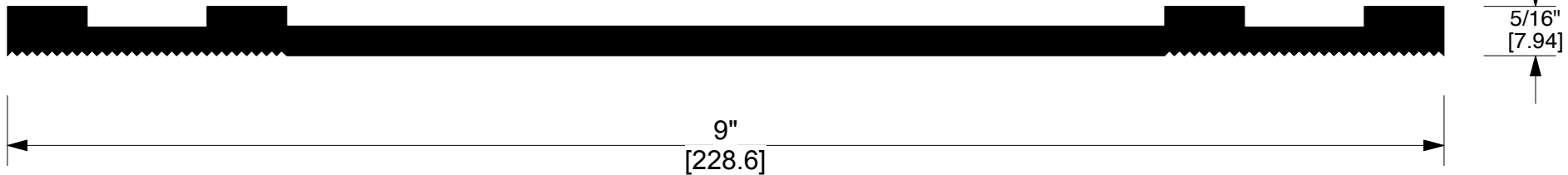
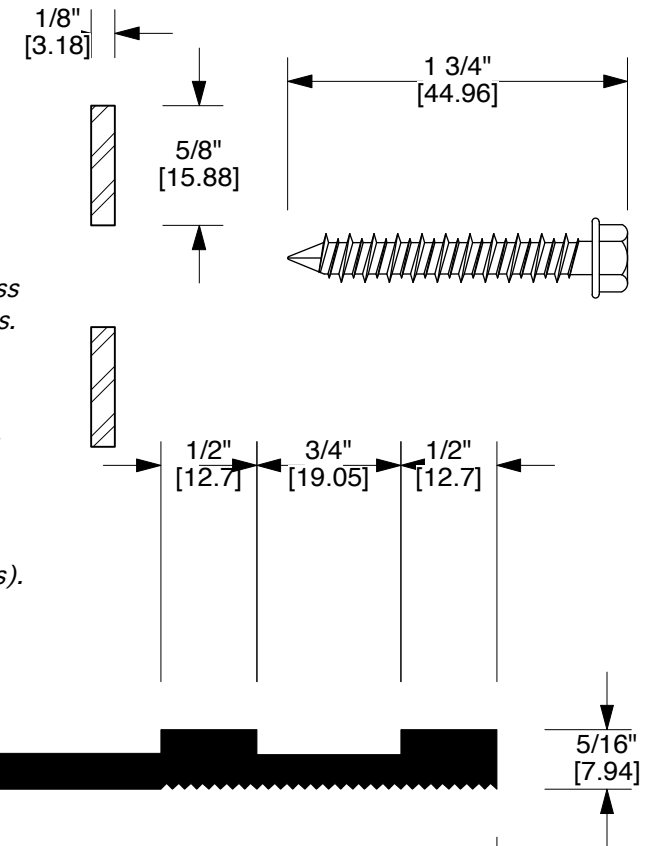
Waterstop indicated in drawings and specifications for sealing corner joints to be Earth Shield®

Thermoplastic Vulcanizate (TPV) **Part No. JP500** as manufactured by **JP Specialties, Inc.** - 551 Birch Street, Lake Elsinore, CA 92530 - Phone 888-836-5778; International 951-674-6869; Fax 951-674-1315; Web [www.earthshield.com](http://www.earthshield.com); E-mail [davidp@earthshield.com](mailto:davidp@earthshield.com)

1. Thermoplastic Vulcanizate (TPV) Waterstop shall be certified for ultra-violet (UV) exposure.
2. No equals or substitutions allowed.
3. Install per manufacturer's recommendations.

*Included components:*

- 42 each (per 10 lft waterstop length) — 1-3/4" x 1/4" stainless steel Tapcon fasteners.
- 2 each (per 10 lft waterstop length) — 1/8" x 5/8" x 119.5" stainless steel batten bar (prepunched 6" on-center to accommodate anchors).



<b>JP Specialties, Inc. / Earth Shield®</b>		
551 Birch Street • Lake Elsinore, CA 92530 <a href="http://www.jpsspecialties.com">www.jpsspecialties.com</a> phone 800-821-3859 • international 951-674-6869 • fax 951-674-1315		
TITLE <b>External Joint Retrofit</b>		
PART NUMBER <b>JP500</b>	DRAWN BY <b>DRP</b>	DATE <b>12/11</b>
CAD FILE NAME <b>JP500 Joint Retrofit</b>	APPROVALS	SIZE <b>A</b>