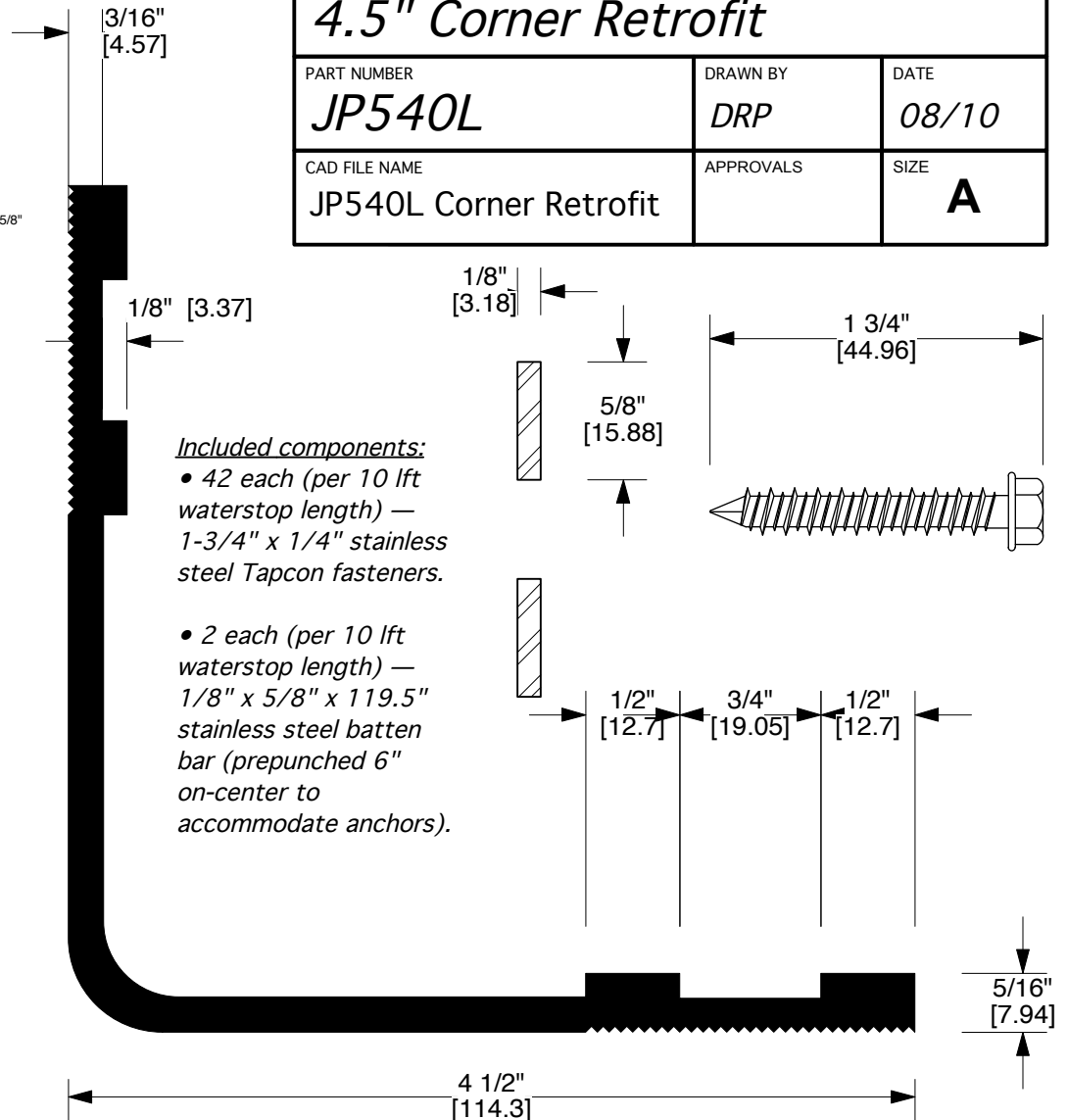


<b>JP Specialties, Inc. / Earth Shield®</b> 551 Birch Street • Lake Elsinore, CA 92530 <a href="http://www.jp-specialties.com">www.jp-specialties.com</a> phone 800-821-3859 • international 951-674-6869 • fax 951-674-1315		
TITLE <b>4.5" Corner Retrofit</b>		
PART NUMBER <b>JP540L</b>	DRAWN BY <b>DRP</b>	DATE <b>08/10</b>
CAD FILE NAME <b>JP540L Corner Retrofit</b>	APPROVALS	SIZE <b>A</b>



**Suggested Short Form Spec**

**Flexible Corner Retrofit Waterstop**

Waterstop indicated in drawings and specifications for sealing corner joints to be Earth Shield® Thermoplastic Vulcanizate (TPV) **Part No. JP540L** as manufactured by **JP Specialties, Inc.** - 551 Birch Street, Lake Elsinore, CA 92530 - Phone 888-836-5778; International 951-674-6869; Fax 951-674-1315; Web [www.earthshield.com](http://www.earthshield.com); E-mail [davidp@earthshield.com](mailto:davidp@earthshield.com)

1. Thermoplastic Vulcanizate (TPV) Waterstop shall be certified for ultra-violet (UV) exposure.
2. No equals or substitutions allowed.
3. Install per manufacturer's recommendations.