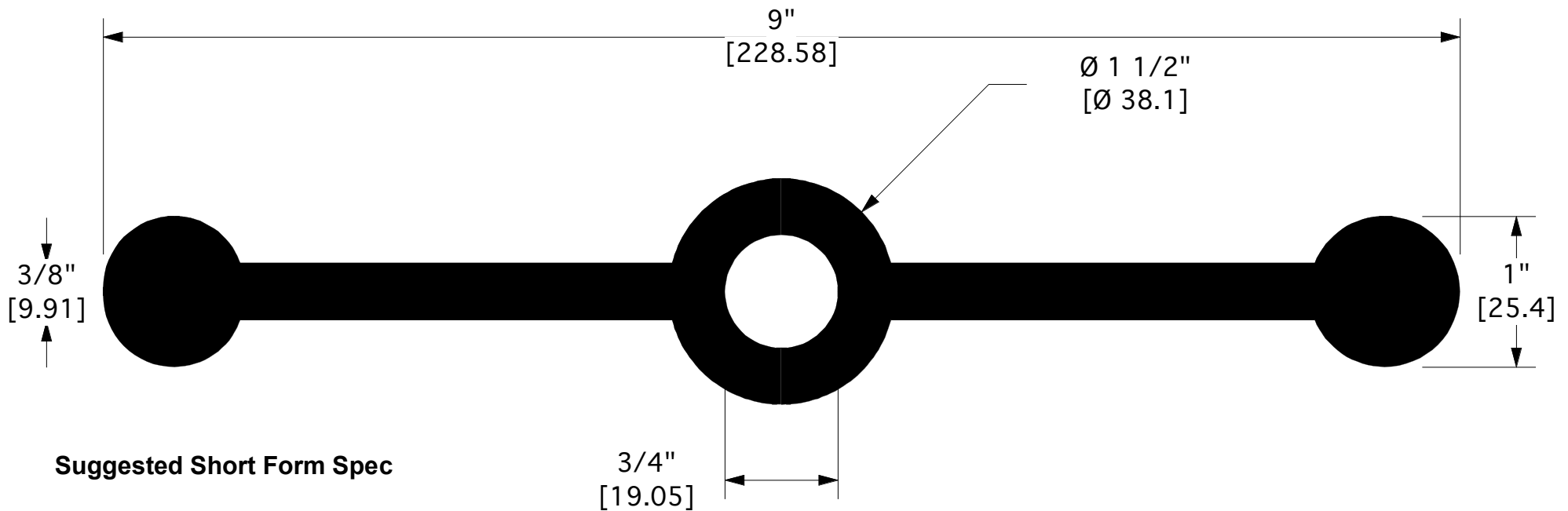


Designed especially for Carollo Engineers
 This part was formerly designated as JP 753



Suggested Short Form Spec

Flexible Waterstop

Waterstop indicated in drawings and specifications for contraction (control), expansion and construction joints to be Earth Shield® Thermoplastic Vulcanizate (TPV) **Part No. JP949** as manufactured by **JP Specialties, Inc.** - 551 Birch Street, Lake Elsinore, CA 92530 - Phone 888-836-5778; International 951-674-6869; Fax 951-674-1315; Web www.earthshield.com; E-mail davidp@earthshield.com

1. Thermoplastic Vulcanizate (TPV) Waterstop shall be certified for use in potable water per NSF/ANSI Standard 61. Third-party certified documentation to be provided by manufacturer.
2. No equals or substitutions allowed.

JP Specialties, Inc. / Earth Shield®		
551 Birch Street • Lake Elsinore, CA 92530 www.jp-specialties.com phone 800-821-3859 • international 951-674-6869 • fax 951-674-1315		
TITLE 9" DCB TPV Waterstop		
PART NUMBER JP949	DRAWN BY DRP	DATE 02/00
CAD FILE NAME JP949	APPROVALS	SIZE A