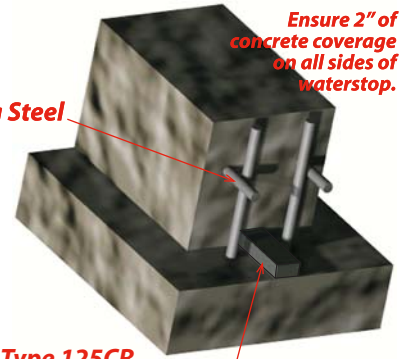


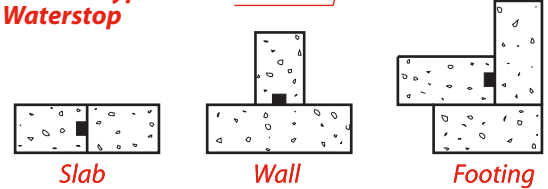
The Hydrocarbon Resistant Choice

Type 125CR Chemical Resistant Strip Waterstop

Earth Shield® CR125 Chemical Resistant Strip Waterstop is designed to prevent the passage of aqueous hydrocarbons through non-moving concrete joints in environmental engineered concrete structures. The product aggressively bonds to most substrates and is unaffected by rain or wet conditions during installation.
www.jpsspecialties.com/Waterstop_for_Concrete_Joints/jpproduct.html

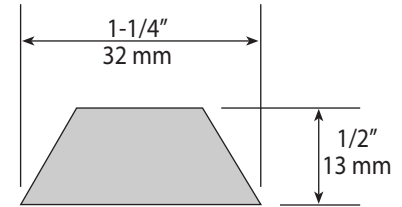


Earth Shield® Type 125CR Strip Waterstop



Typical Physical Properties

Specific Gravity, 77°F ASTM D71	1.40
Ductility, 77°F ASTM D113	15%
Softening Point ASTM D36	300°F
Penetration, Cone 77°F 150 gm. 5 sec. ASTM D217	60-70 mm
Service Temp., °F	-30° to 200°F
Color	Gray
Type 125 Packaging	6 rolls per carton 100 lft. per carton 1/2" x 1-1/4" x 16'8"



Type 125CR



J P SPECIALTIES, INC.

JP Specialties, Inc.

25811 Jefferson Ave.,
Murrieta, CA 92562

Phone: 800-821-3859

Fax: 951-763-7074

jpspec@jpspecialties.com

www.jpsspecialties.com

Earth Shield® is a registered trademark of JP Specialties, Inc.

Fluid	Concentration	Result	Recommendation
Gasoline	100%	No Degradation	Recommended
Jet A Fuel	100%	No Degradation	Recommended
JP4 Fuel	100%	No Degradation	Recommended
JP8 Fuel	100%	No Degradation	Recommended
Kerosene	100%	No Degradation	Recommended
Motor Oil	100%	No Degradation	Recommended
Transmission Fluid	100%	No Degradation	Recommended
Brake Fluid	100%	Some Swelling	Conditional use
Cooking Oil	100%	No Degradation	Recommended
Mineral Spirits	100%	No Degradation	Recommended
Methyl Ethyl Ketone	100%	Swelling, cracking	Do not use
Toluene	100%	Swelling, cracking	Do not use
Trichloroethane	100%	Swelling, cracking	Do not use
Alcohol	100%	No Degradation	Recommended
Antifreeze	100%	No Degradation	Recommended
Runway De-Icer	100%	No Degradation	Recommended
Urea	100%	No Degradation	Recommended
Detergent	100%	No Degradation	Recommended
Insecticide	100%	No Degradation	Recommended
Fertilizer	100%	No Degradation	Recommended
Acrylic Acid, Glacial	100%	Swelling, cracking	Do not use

Distributed by:

