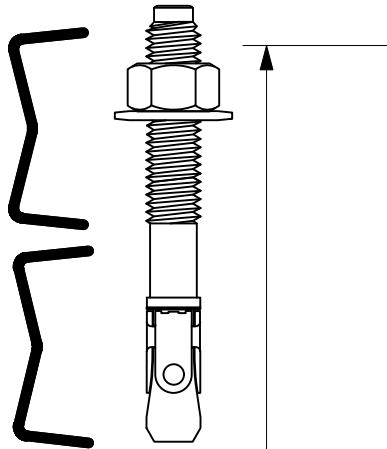


Included components:

- 40 each (per 10 ft waterstop length) — 2-1/4" x 1/4" stainless steel wedge anchor.

- 2 each (per 10 ft waterstop length) — 16 gauge, "W"-shaped stainless steel batten bar (prepunched 6" on-center to accommodate anchors).



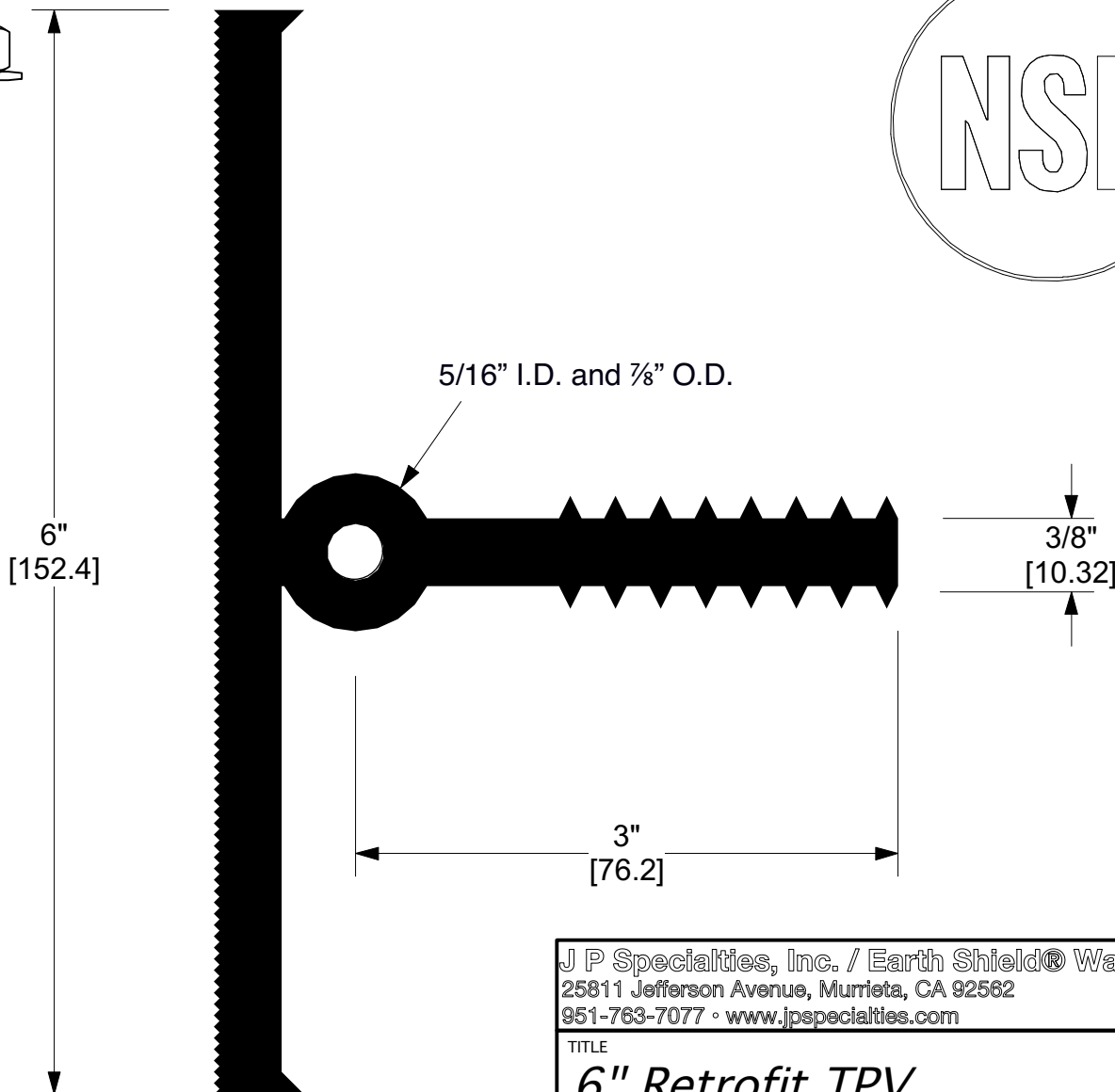
Suggested Short Form Spec

Flexible Retrofit Waterstop

Waterstop indicated in drawings and specifications for expansion and construction joints to be Earth Shield® Thermoplastic Vulcanizate (TPV) **Part No. JP399T** as manufactured by **J P Specialties, Inc.** - 25811 Jefferson Avenue, Murrieta, CA 92562 - Phone 800-821-3859; International 951-763-7077; Fax 951-763-7074; Web www.earthshield.com; E-mail davidp@earthshield.com

1. Thermoplastic Vulcanizate (TPV) Waterstop shall be certified for use in potable water per NSF/ANSI Standard 61. Third-party certified documentation to be provided by manufacturer.

2. No equals or substitutions allowed.



J P Specialties, Inc. / Earth Shield® Waterstop 25811 Jefferson Avenue, Murrieta, CA 92562 951-763-7077 · www.jp-specialties.com		
TITLE		
6" Retrofit TPV		
PART NUMBER	DRAWN BY	DATE
JP399T	DRP	01/16
CAD FILE NAME	APPROVALS	SIZE
JP399T		A