

Suggested Short Form Spec

Flexible External Joint Retrofit Waterstop

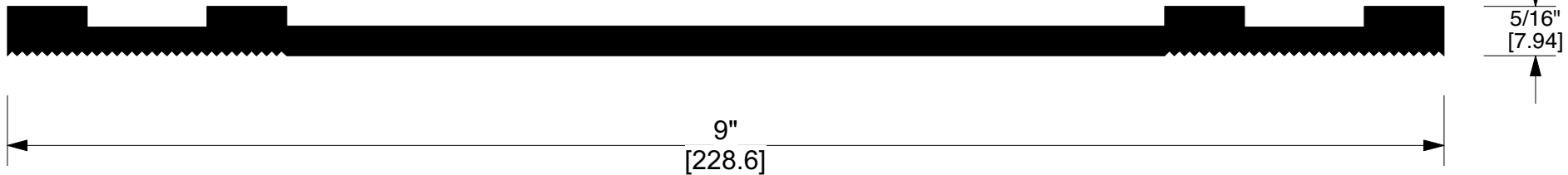
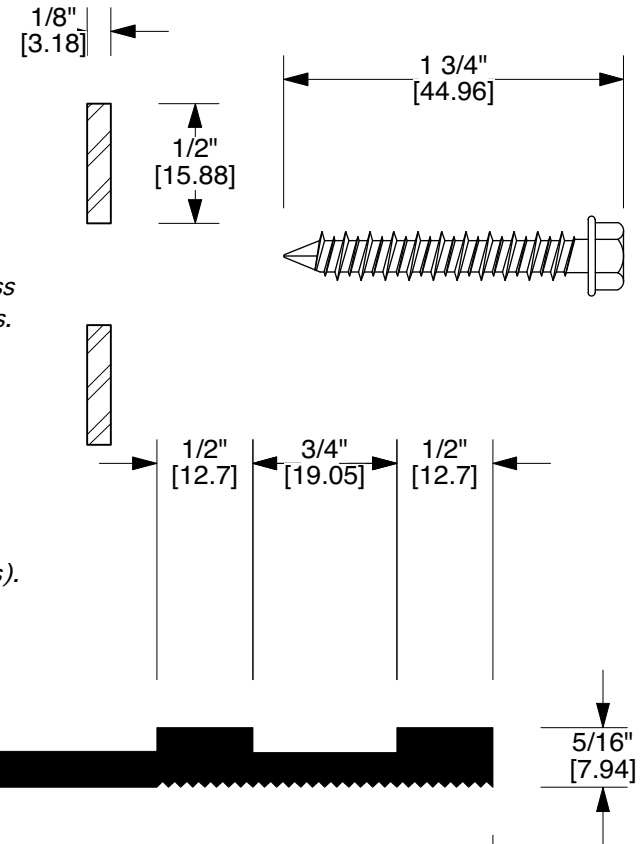
Waterstop indicated in drawings and specifications for sealing concrete joints to be Earth Shield®

Thermoplastic Vulcanizate (TPV) **Part No. JP500** as manufactured by **J P Specialties, Inc.** - 25811 Jefferson Avenue, Murrieta, CA 92562 - Phone 800-821-3859; International 951-763-7077; Fax 951-763-7074; Web www.earthshield.com; E-mail davidp@earthshield.com

1. Thermoplastic Vulcanizate (TPV) Waterstop shall be certified for ultra-violet (UV) exposure.
2. No equals or substitutions allowed.
3. Install per manufacturer's recommendations.

Included components:

- 40 each (per 10 lft waterstop length) — 1-3/4" x 1/4" stainless steel Tapcon fasteners.
- 2 each (per 10 lft waterstop length) — 1/8" x 1/2" x 120" stainless steel batten bar (prepunched 6" on-center to accommodate anchors).



J P Specialties, Inc. / Earth Shield® Waterstop 25811 Jefferson Avenue, Murrieta, CA 92562 951-763-7077 • www.jp-specialties.com		
TITLE External Joint Retrofit		
PART NUMBER JP500	DRAWN BY DRP	DATE 12/11
CAD FILE NAME JP500	APPROVALS	SIZE A

