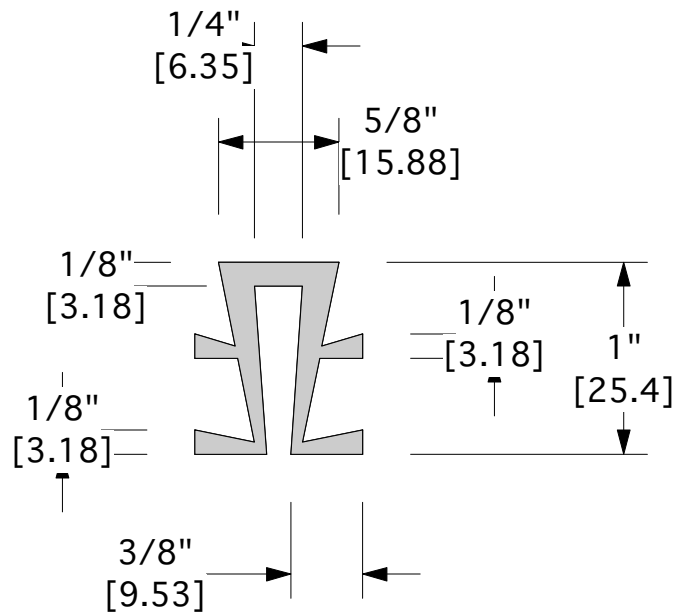
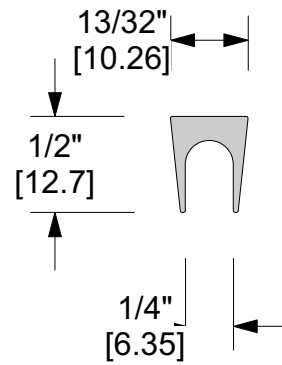


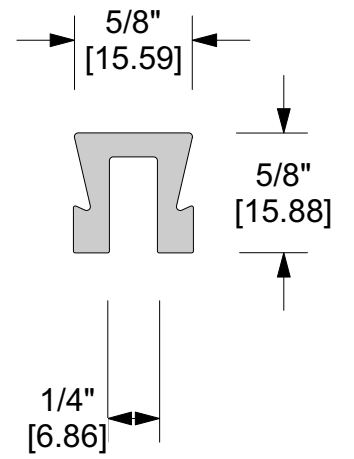
Part No. PVC158



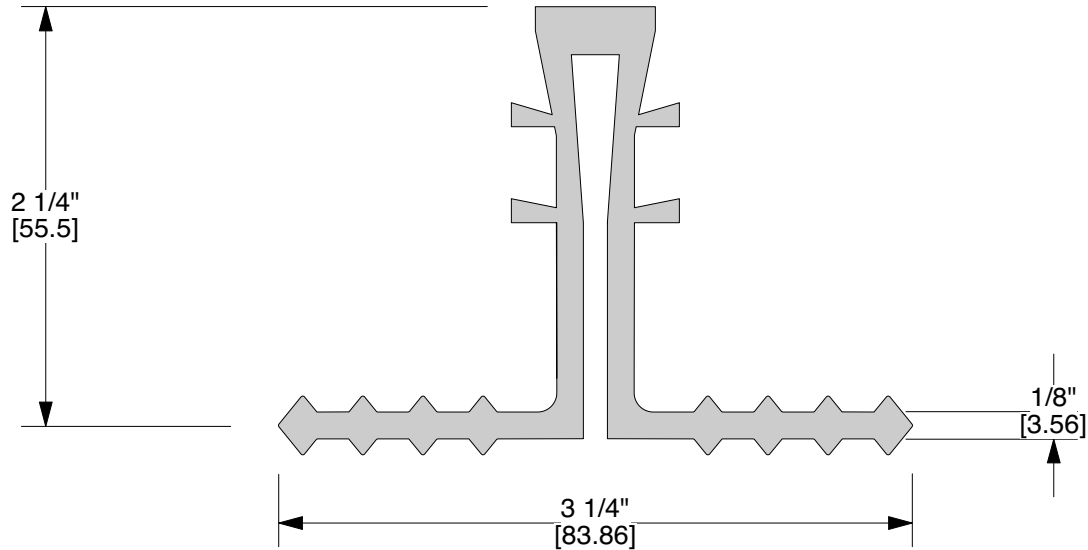
Part No. Removecap



Part No. Noremovecap



Part No. PVC1225  $\frac{5}{8}$ " [15.88]



J P Specialties, Inc. / Earth Shield® Waterstop 25811 Jefferson Avenue, Murrieta, CA 92562 951-763-7077 · www.jpsspecialties.com		
TITLE		
<i>JPS PVC Caps</i>		
PART NUMBER	DRAWN BY	DATE
	<i>DRP</i>	<i>11/18</i>
CAD FILE NAME	APPROVALS	SIZE
JPS PVC Caps		<b>A</b>