

Available with factory installed brass eyelets. The eyelets provide for a convenient and durable tie-off point for wire tying the waterstop to the steel reinforcement prior to the concrete pour. J P Specialties installs the brass eyelets at 12" centers, between the last two ribs, to provide maximum resistance and rigidity to the poured concrete weight.

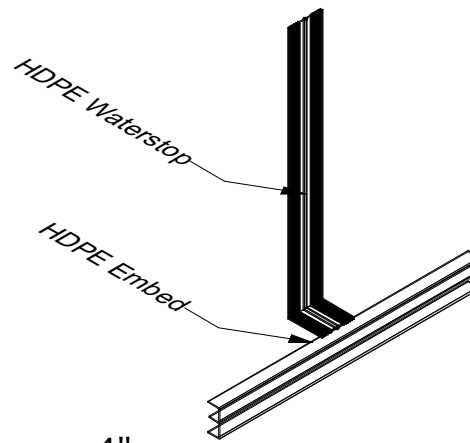
Note to specifier: To add factory installed brass eyelets to your Earth Shield specification, simply precede the specified part number with "EY." Example: If you are specifying PE636 and want the optional eyelets, call out part number EYPE636.

Earth Shield high density polyethylene waterstop can be heat welded to many* commercially available hdpe liners, T-locks, and embeds.

*Consult with Earth Shield Technical Support to perform sample weld prior to purchase.

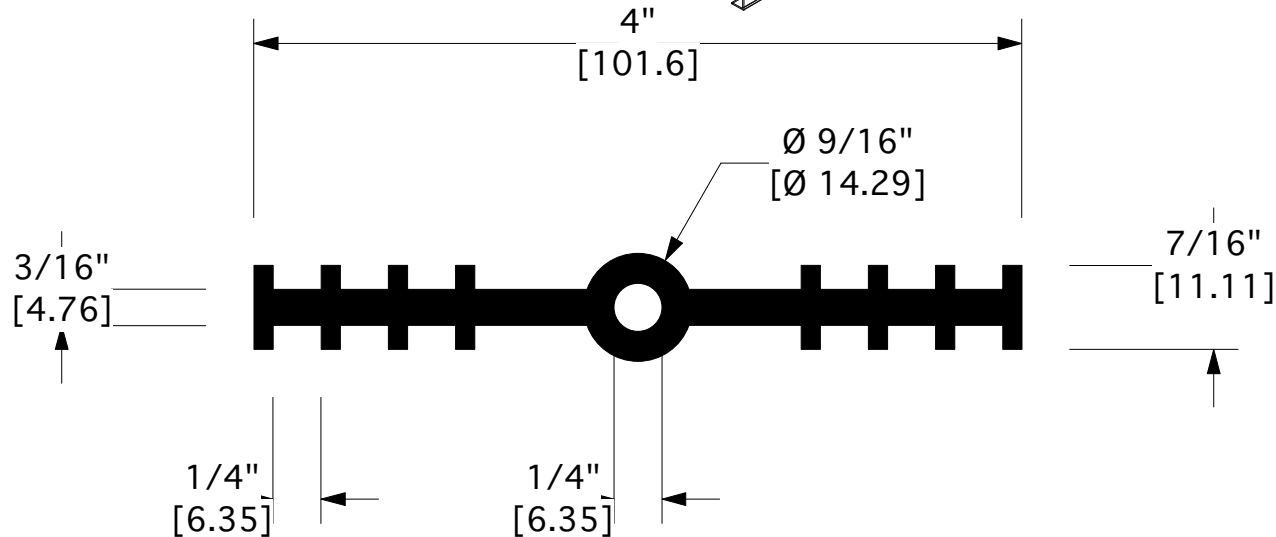
Additional profiles are available.

Dimensions are subject to manufacturing tolerances.



Typical Physical Properties

Spec Gravity	.943
Tesile Strength	5,100 psi
Ult. Elongation	750%
Hardness	90A
Brittleness	-148°F
Softening	207°F



Suggested Short Form Spec

Flexible Waterstop

Waterstop indicated in drawings and specifications for contraction (control), expansion and construction joints to be Earth Shield® High Density Polyethylene (HDPE) **Part No. PE436** as manufactured by **J P Specialties, Inc.** - 25811 Jefferson Avenue, Murrieta, CA 92562 - Phone 800-821-3859; International 951-763-7077; Fax 951-763-7074; Web www.earthshield.com; E-mail davidp@earthshield.com

1. Certified resistance to fuel, diesel fuel, and jet fuel.
2. No equals or substitutions allowed.

J P Specialties, Inc. / Earth Shield® Waterstop 25811 Jefferson Avenue, Murrieta, CA 92562 951-763-7077 · www.jp-specialties.com		
TITLE 4" RCB PE Waterstop		
PART NUMBER PE436	DRAWN BY DRP	DATE 06/11
CAD FILE NAME PE436	APPROVALS	SIZE A