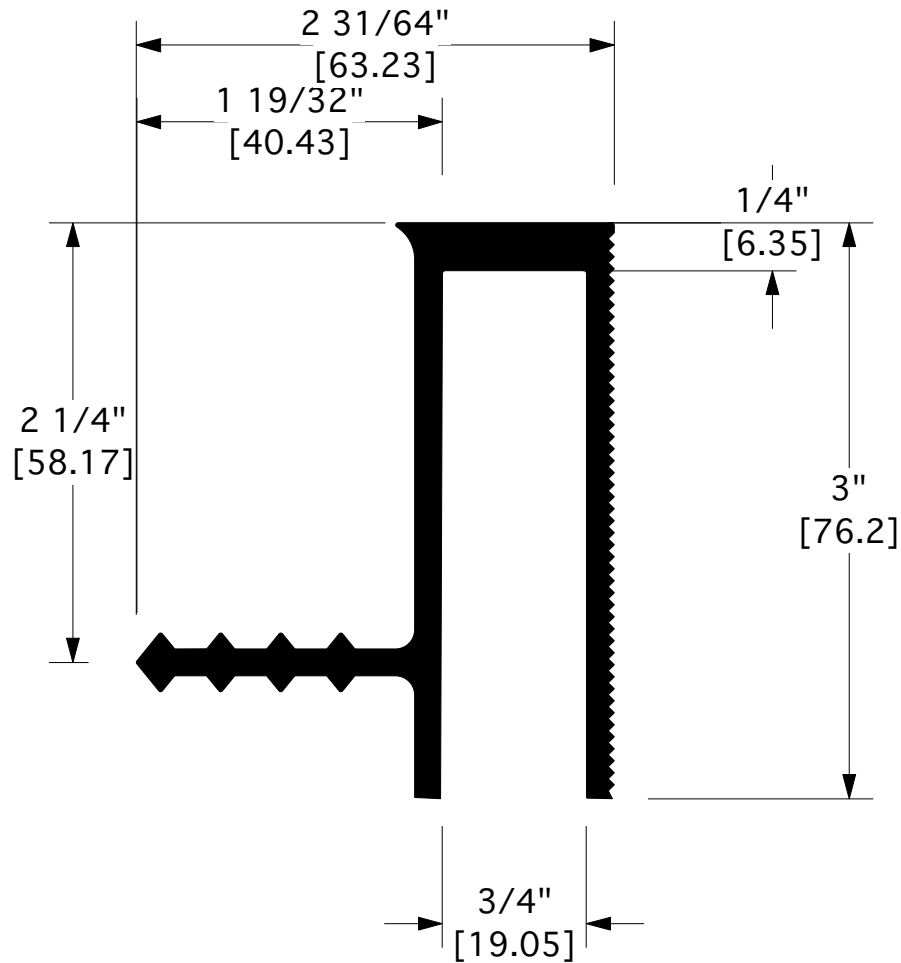


Earth Shield high density polyethylene waterstop can be heat welded to many\* commercially available hdpe liners, T-locks, and embeds.

\*Consult with Earth Shield Technical Support to perform sample weld prior to purchase.

Additional profiles are available.

Dimensions are subject to manufacturing tolerances.



#### Typical Physical Properties

|                 |           |
|-----------------|-----------|
| Spec Gravity    | .943      |
| Tesile Strength | 5,100 psi |
| Ult. Elongation | 750%      |
| Hardness        | 90A       |
| Brittleness     | -148°F    |
| Softening       | 207°F     |

### Suggested Short Form Spec

#### Flexible Waterstop

Waterstop indicated in drawings and specifications for expansion joints to be Earth Shield® High Density Polyethylene (HDPE) **Part No. PEEB375R** as manufactured by **J P Specialties, Inc.** - 25811 Jefferson Avenue, Murrieta, CA 92562 - Phone 800-821-3859; International 951-763-7077; Fax 951-763-7074; Web [www.earthshield.com](http://www.earthshield.com); E-mail [davidp@earthshield.com](mailto:davidp@earthshield.com)

1. Certified resistance to fuel, diesel fuel, and jet fuel.
2. No equals or substitutions allowed.

|  |                        |                      |
|--|------------------------|----------------------|
| J P Specialties, Inc. / Earth Shield® Waterstop<br>25811 Jefferson Avenue, Murrieta, CA 92562<br>951-763-7077 • <a href="http://www.jp-specialties.com">www.jp-specialties.com</a> |                        |                      |
| TITLE<br><b>PE Expansion Board Cap Retrofit</b>  |                        |                      |
| PART NUMBER<br><b>PEEB375R</b>   | DRAWN BY<br><b>DRP</b> | DATE<br><b>08/18</b> |
| CAD FILE NAME<br><b>PEEB375R</b>   | APPROVALS              | SIZE<br><b>A</b>     |