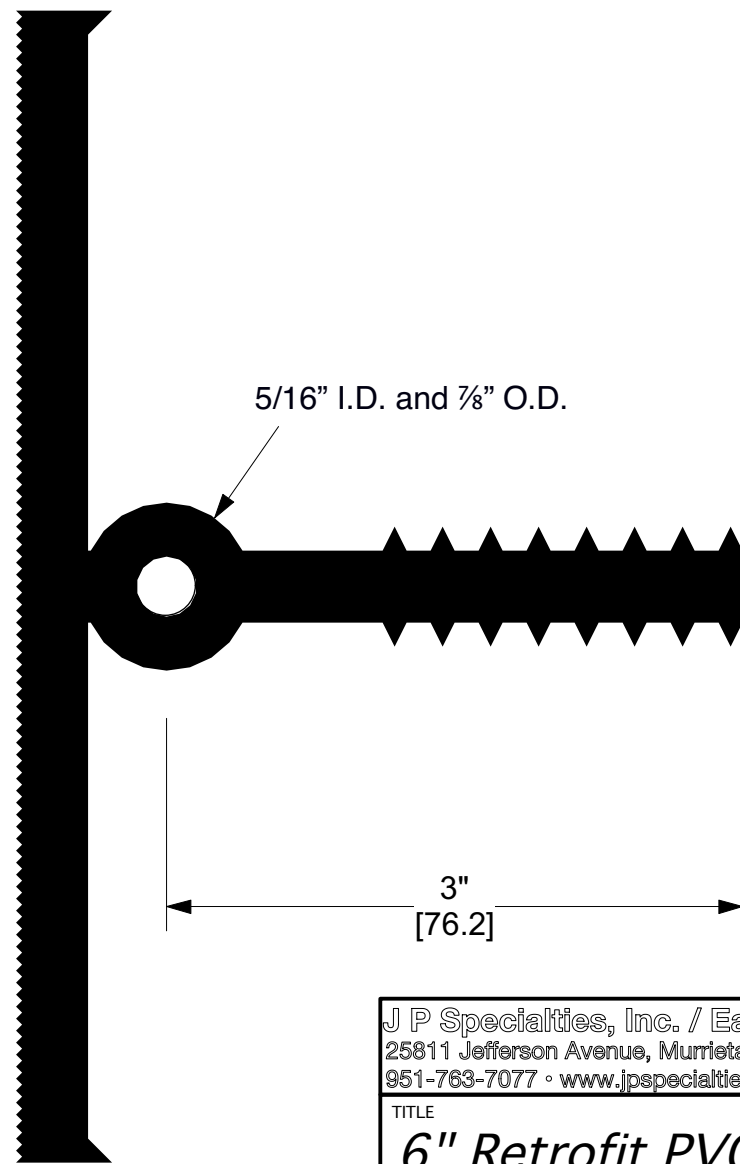
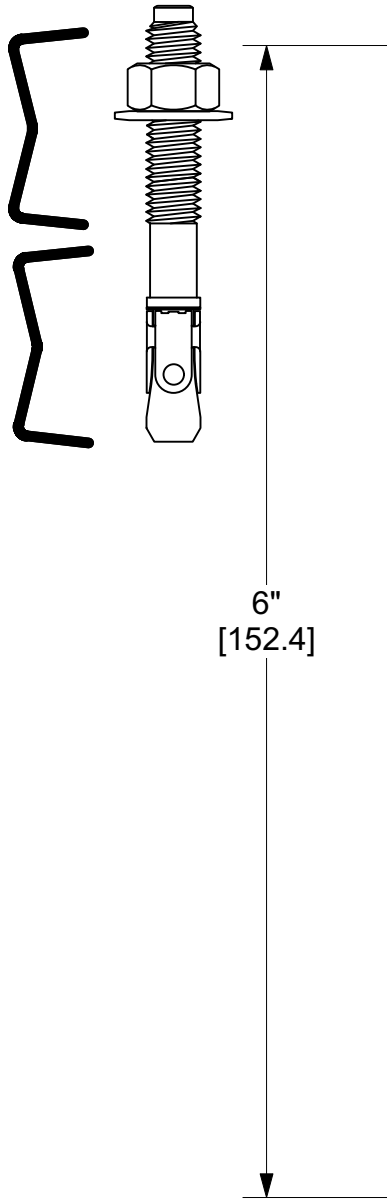


Included components:

- 40 each (per 10 ft waterstop length) — 2-1/4" x 1/4" stainless steel wedge anchor.

- 2 each (per 10 ft waterstop length) — 16 gauge, "W"-shaped stainless steel batten bar (prepunched 6" on-center to accommodate anchors).



J P Specialties, Inc. / Earth Shield® Waterstop 25811 Jefferson Avenue, Murrieta, CA 92562 951-763-7077 · www.jp-specialties.com		
TITLE 6" Retrofit PVC		
PART NUMBER PVC399T	DRAWN BY DRP	DATE 5/18
CAD FILE NAME PVC399T	APPROVALS	SIZE A