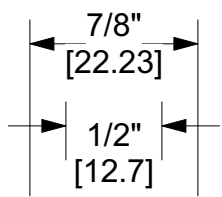
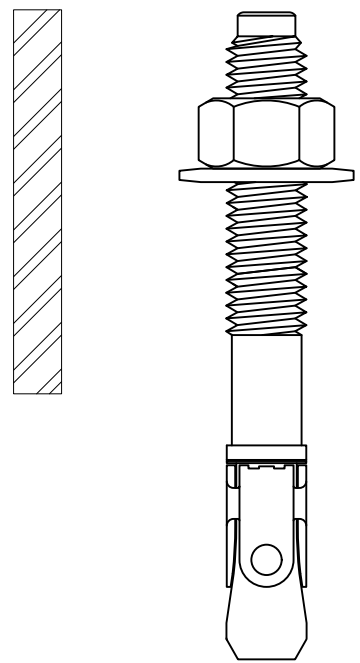


J P Specialties, Inc. / Earth Shield® Waterstop 25811 Jefferson Avenue, Murietta, CA 92562 951-763-7077 • www.jpsspecialties.com		
TITLE 9" Retrofit PVC		
PART NUMBER PVC699T	DRAWN BY DRP	DATE 08/18
CAD FILE NAME PVC699T	APPROVALS	SIZE A



Included components:

- 40 each (per 10 lft waterstop length) — 3" x 3/8" stainless steel wedge anchor.
- 2 each (per 10 lft waterstop length) — 1/4" x 2" stainless steel batten bar (prepunched 6" on-center to accommodate anchors).



System Weight: 8.27 lbs/lft

