

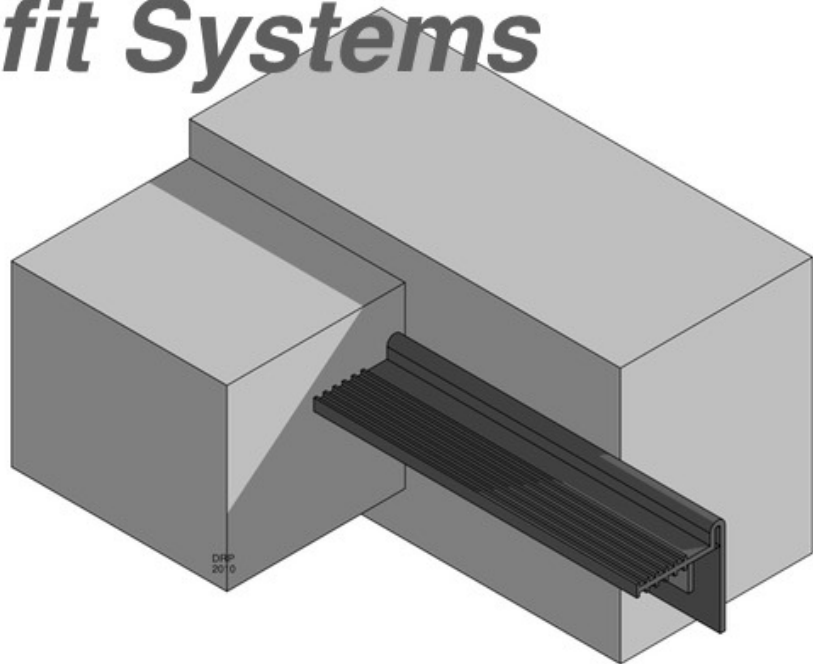


Tech Tips 025

**Considerations When Working
With L-shaped Retrofit
Waterstop Systems**

by Allison J. Nuño

Retrofit Systems



JPS retrofit waterstops are designed as a complete system and include the waterstop, batten bar, mechanical anchoring devices, and epoxy. These systems seal the joint both mechanically and chemically. We recommend using the complete system.

Our installation procedures show pictorially and verbally how to install the waterstops. As with any waterstop installation, thorough consolidation of the concrete on both sides of the ribs is crucial. When installing or specifying an

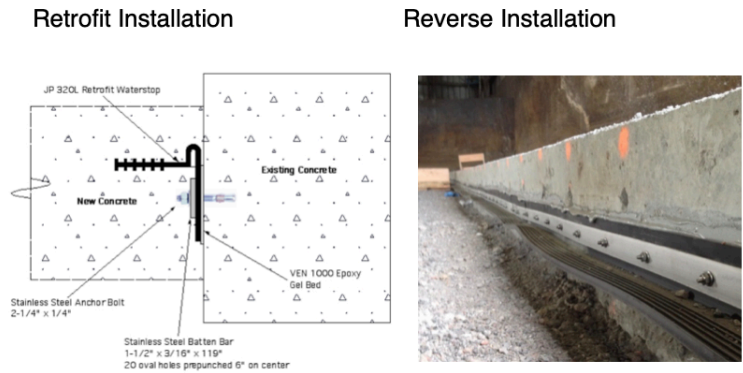


JP Specialties,
 Inc. / Earth Shield®
 Waterstop

"L-shaped" retrofit waterstop, there are a couple of other things you should consider.

ORIENTATION:

The [standard installation literature](#) shows the JP320L/JP336L against a vertical face of an existing concrete structure with the stainless steel batten bar on the dry side of the waterstop opposite the hazardous material. *Please note: It is perfectly acceptable for the batten bar position to be reversed, provided the stainless steel is resistant to the hazardous contact material.*



CLEARANCE AND SPACING ISSUES:

Trimming the anchoring leg for clearance/spacing issues — We have had many installations where the available footprint on the existing concrete structure is limited. Because of the safety factors in our product design, we can recommend pushing the stainless steel batten bar flush to the 90° corner of the waterstop and trimming the outside edge of the waterstop (anchoring leg will now be 1.5" wide, as opposed to the 3" width on the manufactured polymer profile).

